

# KINGFISHER BATHSEAT

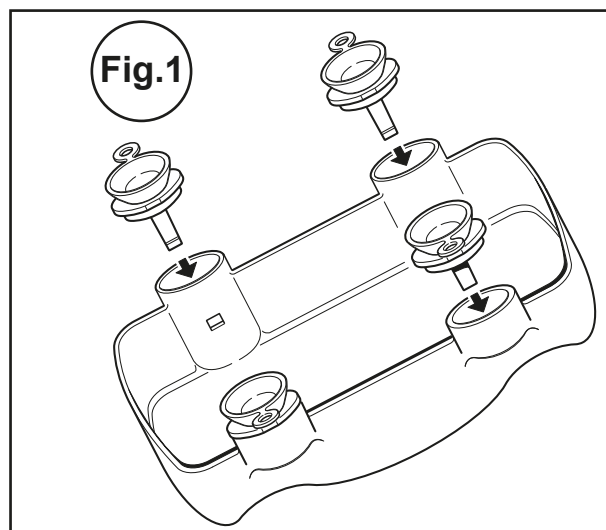
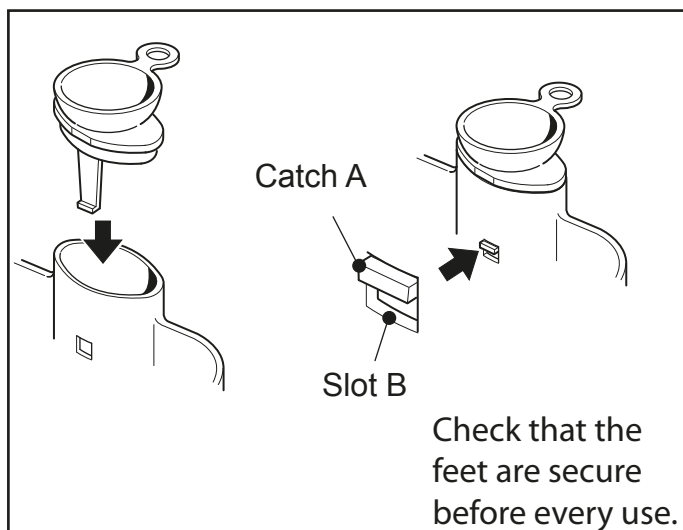
Part no: HA0670 - 6" }  
HA0671 - 8" } Max. Safe user weight 200kg (31 stone)  
HA0673 - 10" }

Part no: 12" - HA0674 Max. Safe user weight 160kg (25stone)

**The Kingfisher Bathseat is designed to make getting in and out of the bath easier and safer. The Bathseat can be used for bathing or showering.**

## Assemble the Bathseat

Before using the Bathseat for the first time, push each of the four sucker feet into the leg sockets. Ensure the foot is pushed fully home and the catch foot 'A' is engaged in the rectangular slot 'B', on the inside of the leg socket.



## Using the Bathseat

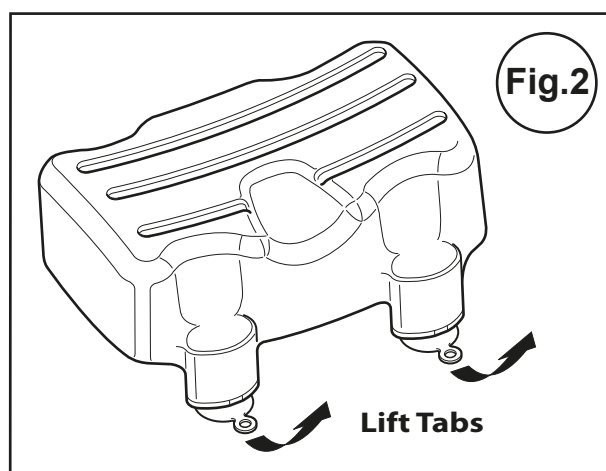
Place the Bathseat in the bath before filling with water, press down firmly to secure the sucker feet.

## Please Note

To remove from the bath lift the suction release tab on each of the sucker feet (see fig.2).

## Care of the Bathseat

Clean with non-abrasive cleaners suitable for use with plastic baths. **DO NOT** store in direct sunlight. Inspect the seat for wear and tear and correct fitting each time before use. This product is warranted to specification for 3 years, spare parts are available. This product can be autoclaved

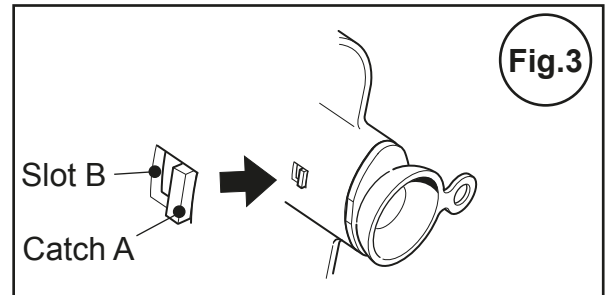


# KINGFISHER BATHSEAT: LEG EXTENSION KIT

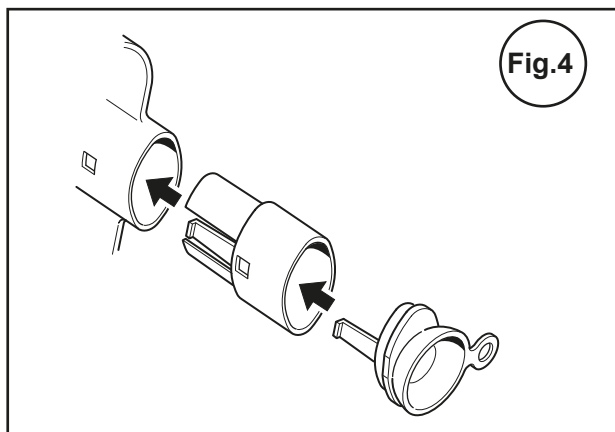
**Part No: HA0672**

## Assembly

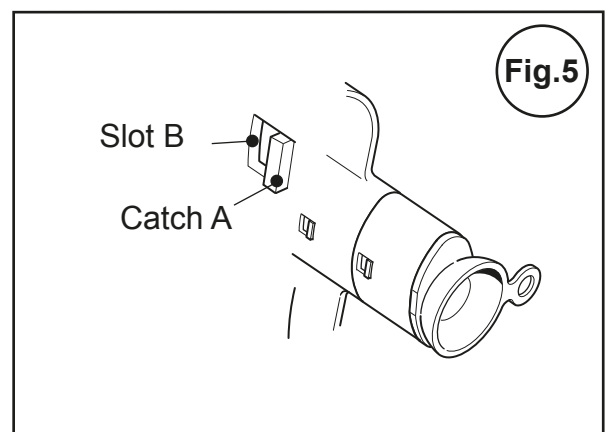
Remove the four sucker feet from the leg sockets by pushing catch 'A' inwards at slot 'B' to release. When the catch is released fully the foot will slide out easily (see Fig.3).



Push each of the four leg extensions into the sockets on the Bathseat, followed by the four sucker feet (see fig.4).



Ensure each piece is pushed fully home and catch 'A' is fully engaged in the rectangular slot 'B' (see fig.5).



**Check that the feet are secure before every use.**

## Important Notes

1. One set of leg extensions raises your Bathseat to 8" high.
2. Two sets of leg extensions raises your Bathseat to 10" high.
3. Should an additional set of leg extensions be required, taking the height to 12", the safe working load must be limited to 160kg (25 st).
4. No more than 3 extensions per leg must ever be used.

These Instructions should be left with the user to consult as required.

The Kingfisher Bathseat is just one product in a range of Daily Living Aids designed to make life more comfortable, restore independence and maintain dignity. To receive further details please contact us as below.